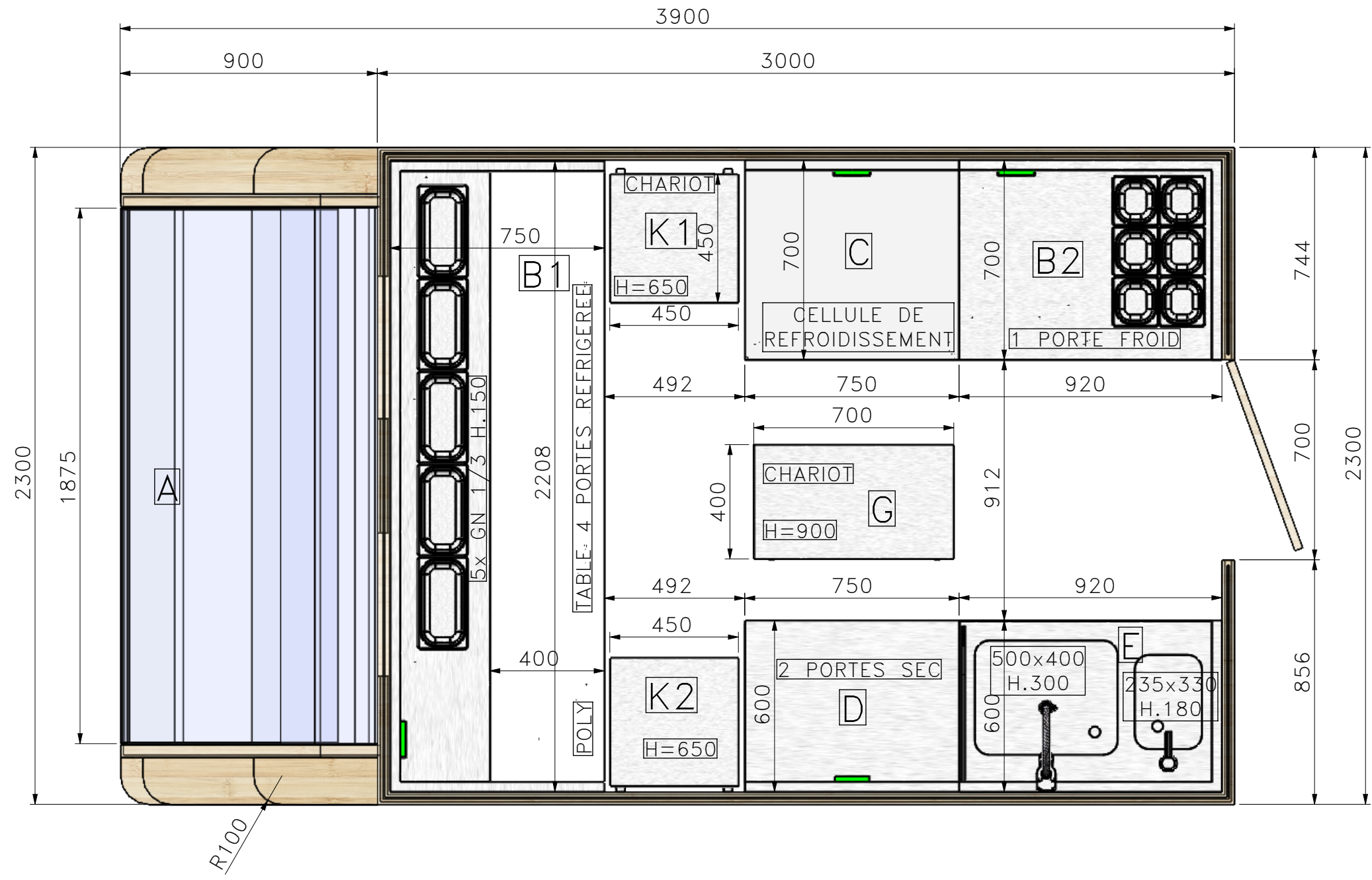
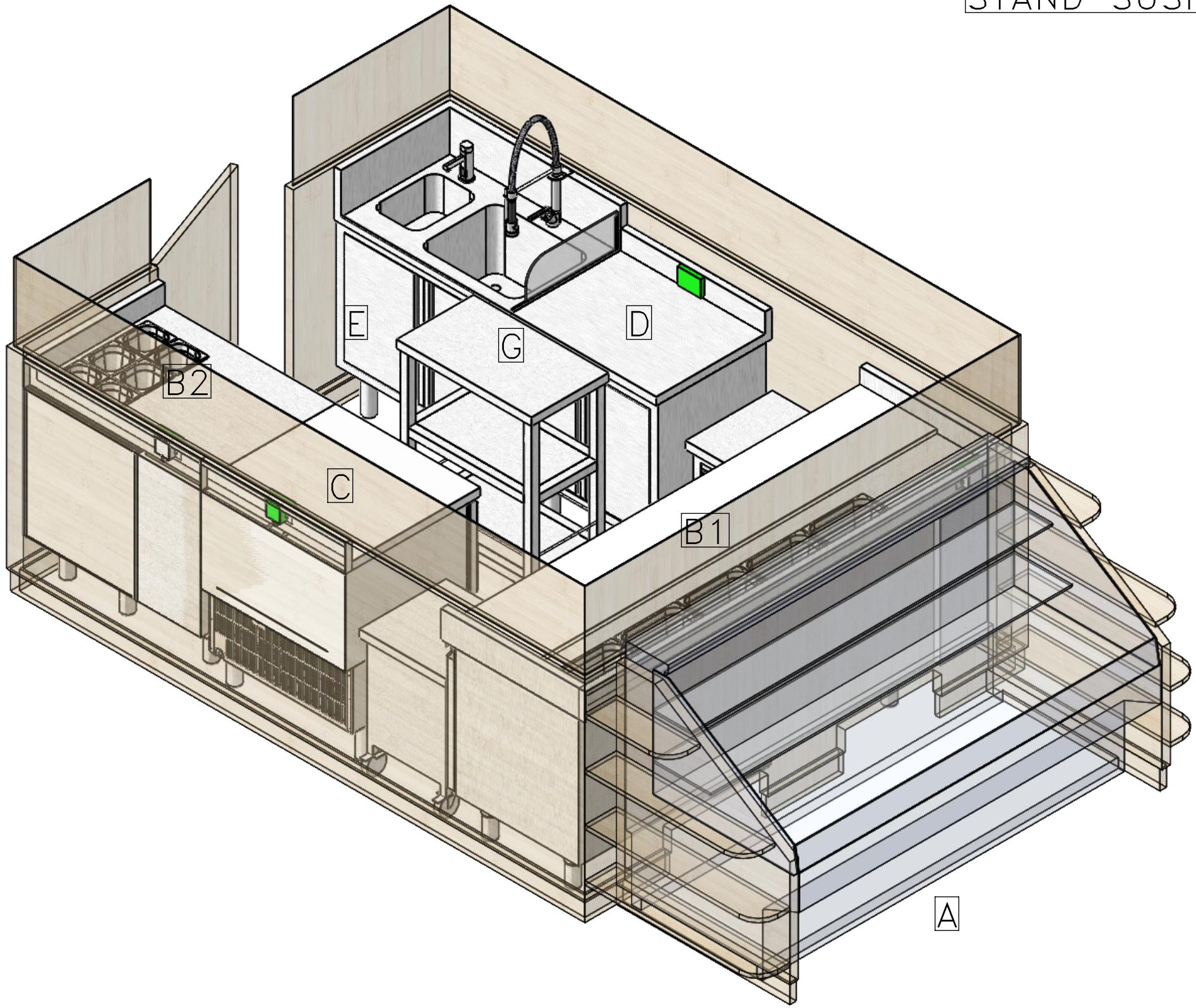


STAND SUSHI EPJ 3900x2300



8 7 6 5 4 3 2 1

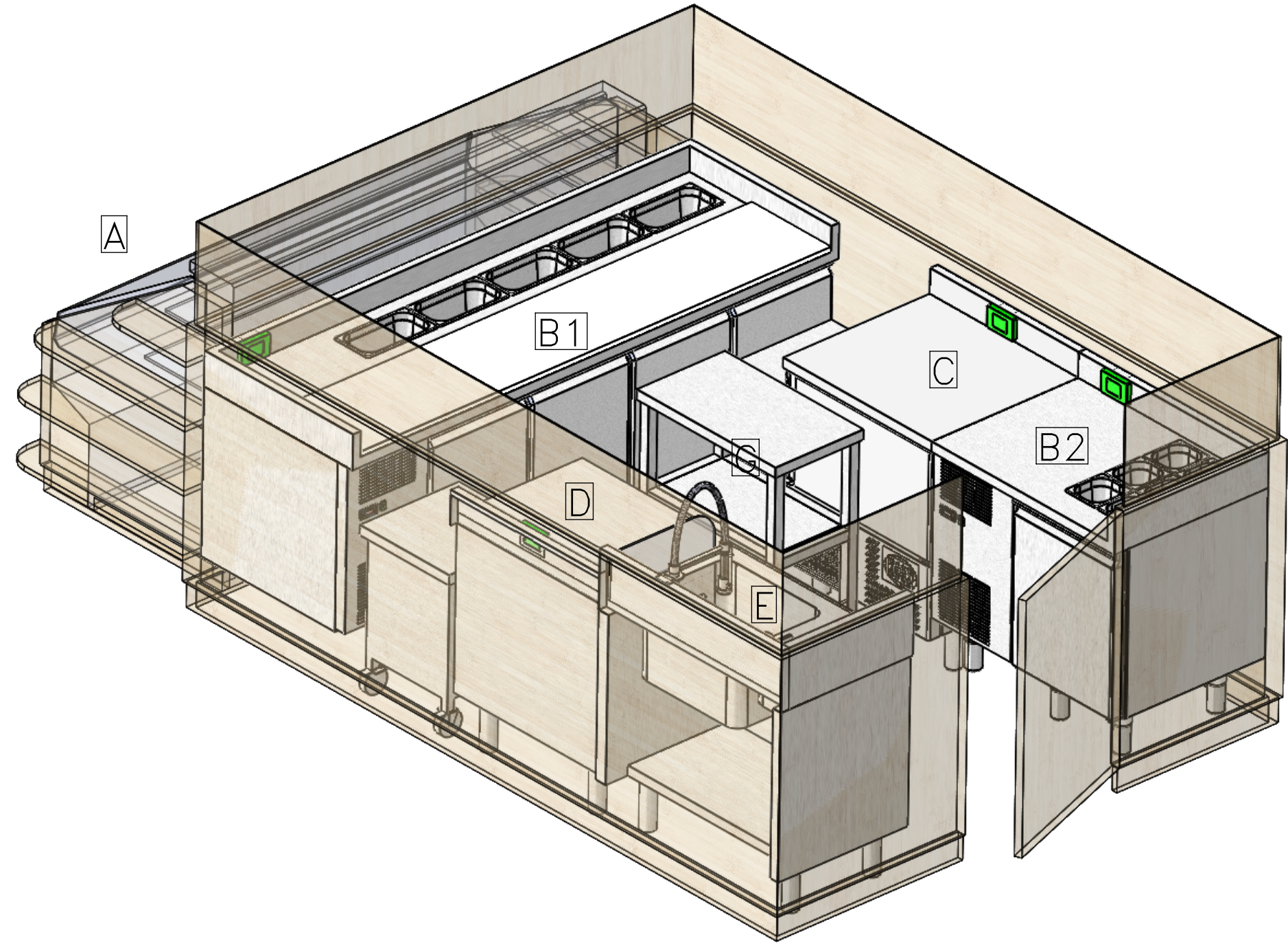
STAND SUSHI EPJ 3900x2300



8 7 6 5 4 3 2 1

STAND SUSHI EPJ 3900x2300

D
C
A

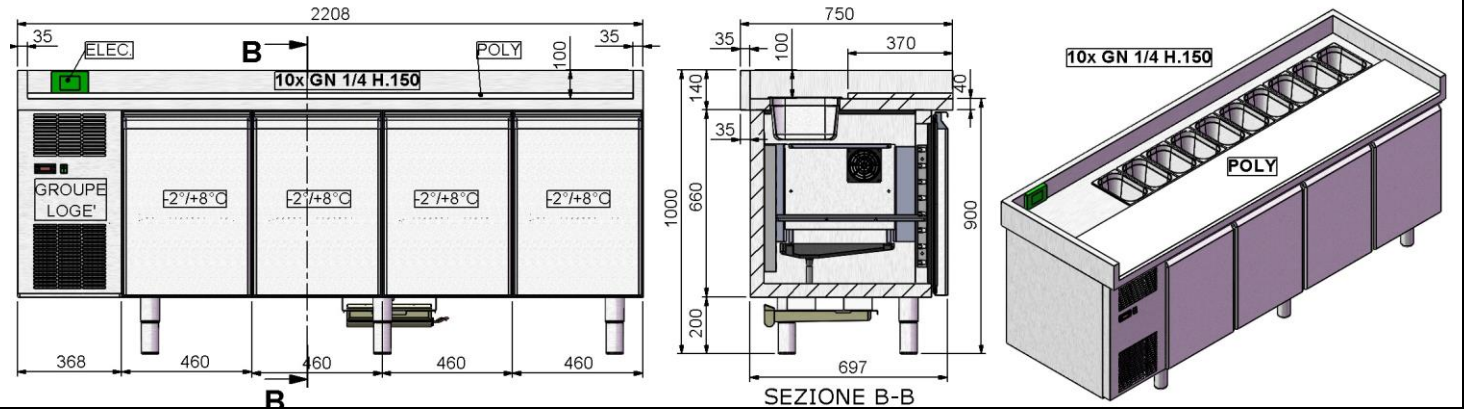


D
C
B
A

DAIQUIRI FRIGO 4 PORTES 2208x750 H900

1 Pièce

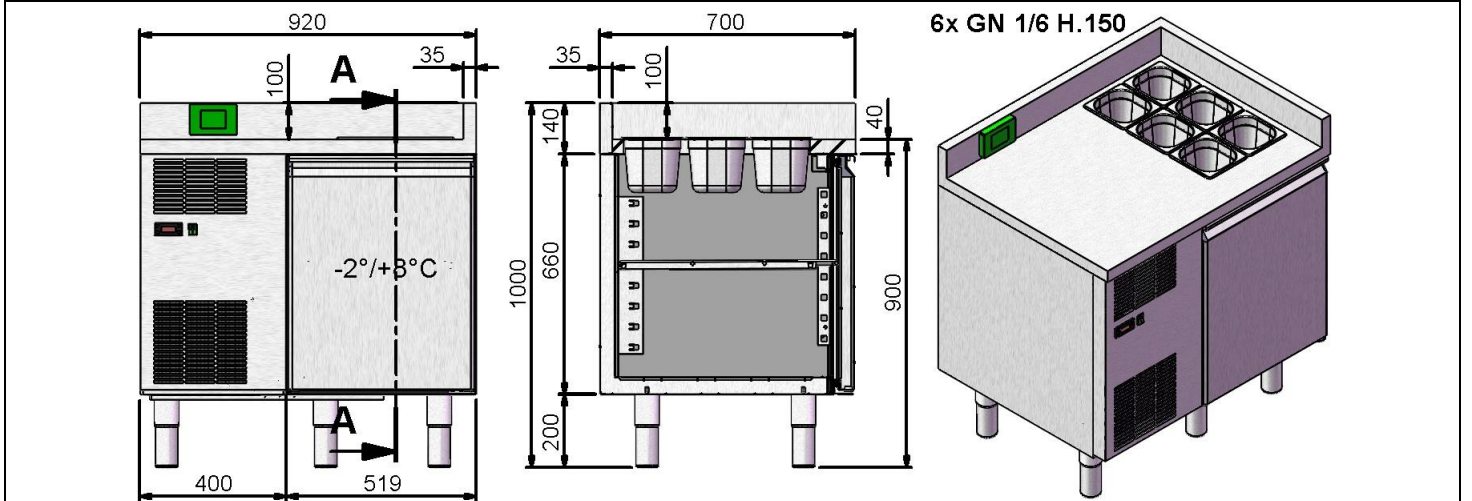
REF. B1



DAIQUIRI FRIGO 1 PORTE 920x700 H900

1 Pièce

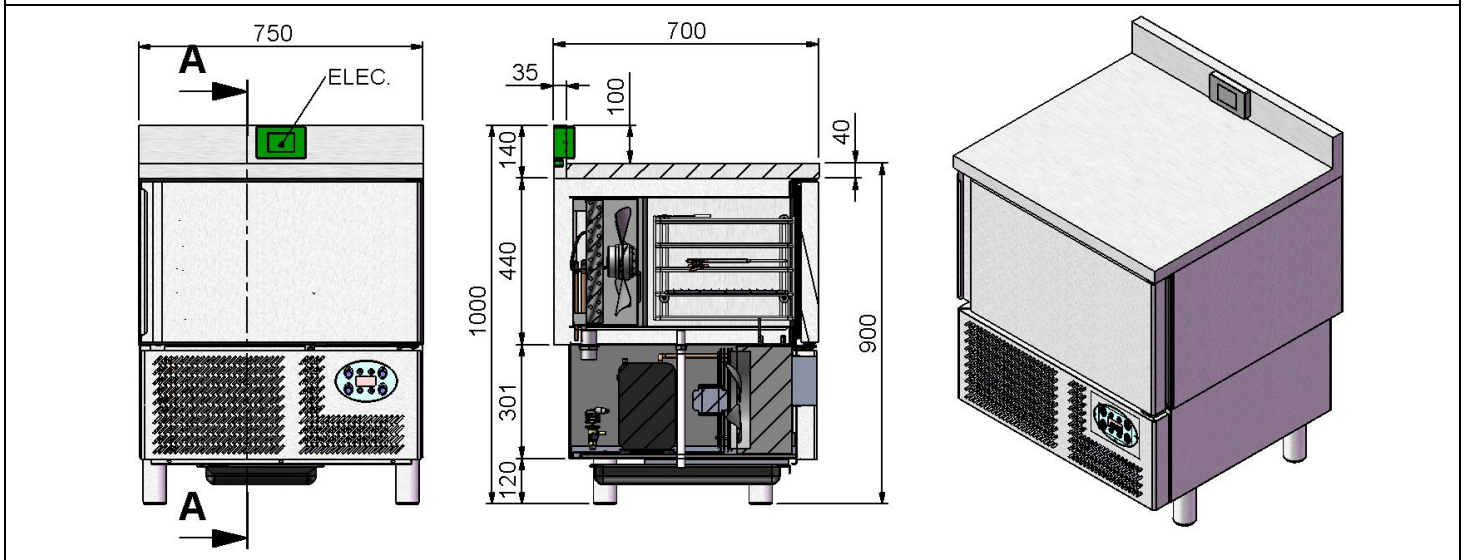
REF. B2



CELLULE ALEXANDER 5T 750x700 H900

1 Pièce

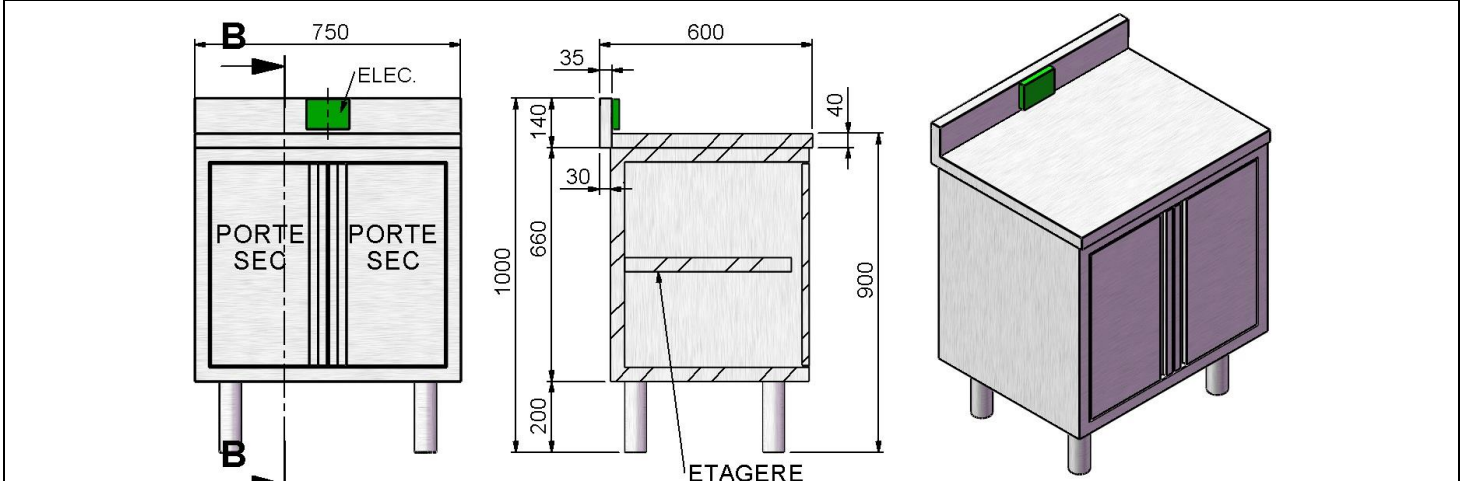
REF. C



MEUBLE NEUTRE 2P 750x600 H900

1 PIECE

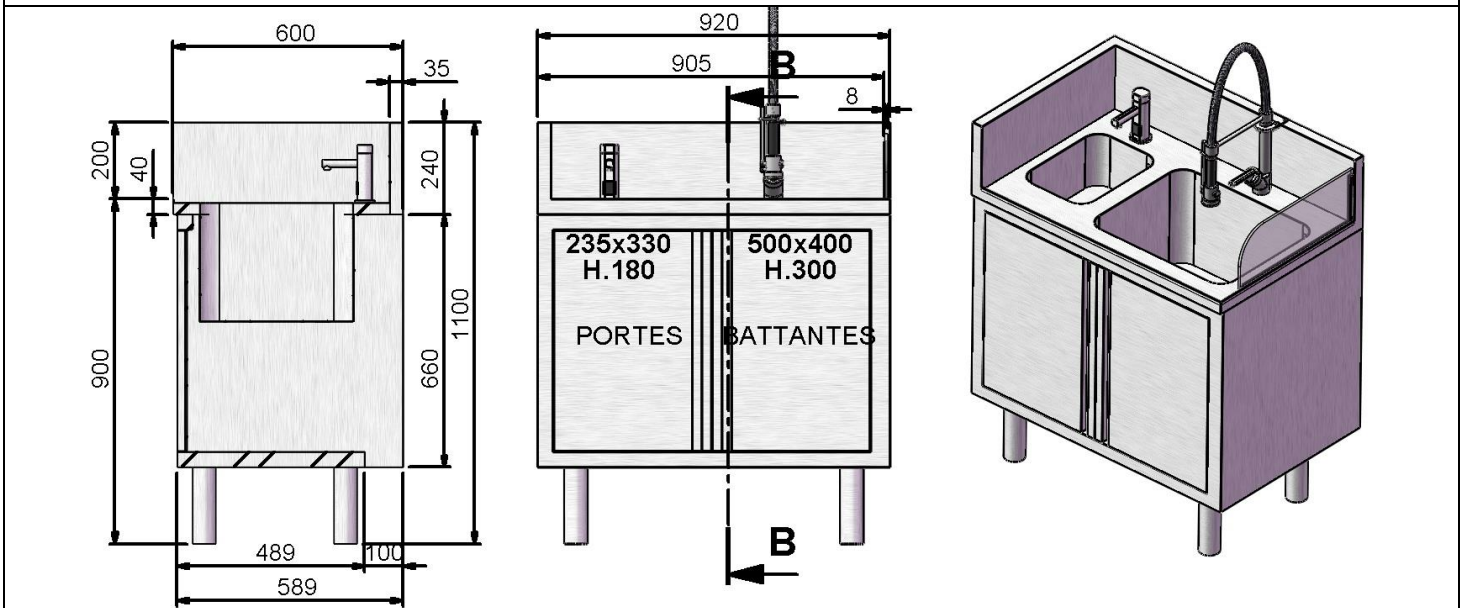
REF. D



MEUBLE SANITAIRE 920x600 H900

1 PIECE

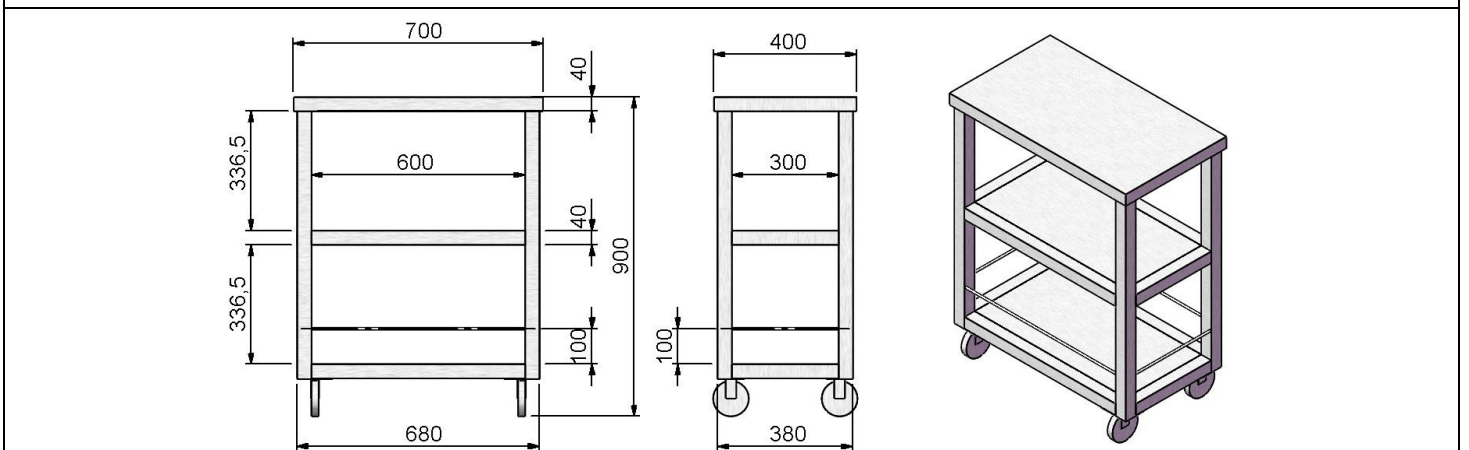
REF. E



CHARIOT 700x400 H900

1 PIECE

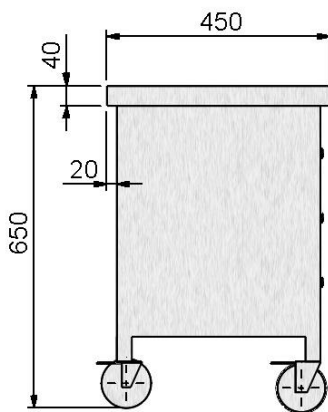
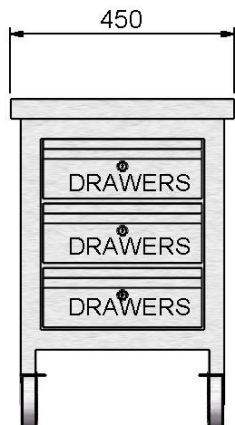
REF. G



CHARIOT A TIROIRS 450x450 H650

2 PIECES

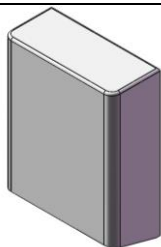
REF. K1 – K2



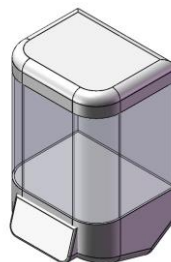
ACCESSOIRES :



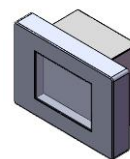
1 x DOCCIONI
cod. 67300116



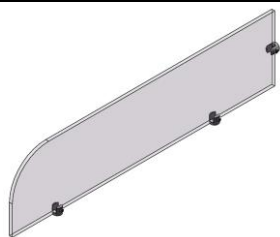
1 x DISPENCER CARTA
PLASTICA cod. 67300210



1 x DISPENCER SAPONE
PALASTICA cod. 67300160



4 x PRESE ELETTRICHE
FRANCESI



1 x VETRI L=475
cod. 64770800



1 x STAFFA Cod. 62500660
2 x CHIUSURA 62500661



1 x RUBINETTO
INFRAROSSI A FILO
Cod. 67300105



10x BAC. GN 1/4 H.150
cod. 64700788
10x COP. GN 1/4
cod. 64700795



6x BAC. GN 1/6 H.150
cod. 64700828
6x COP. GN 1/6
cod. 64700835