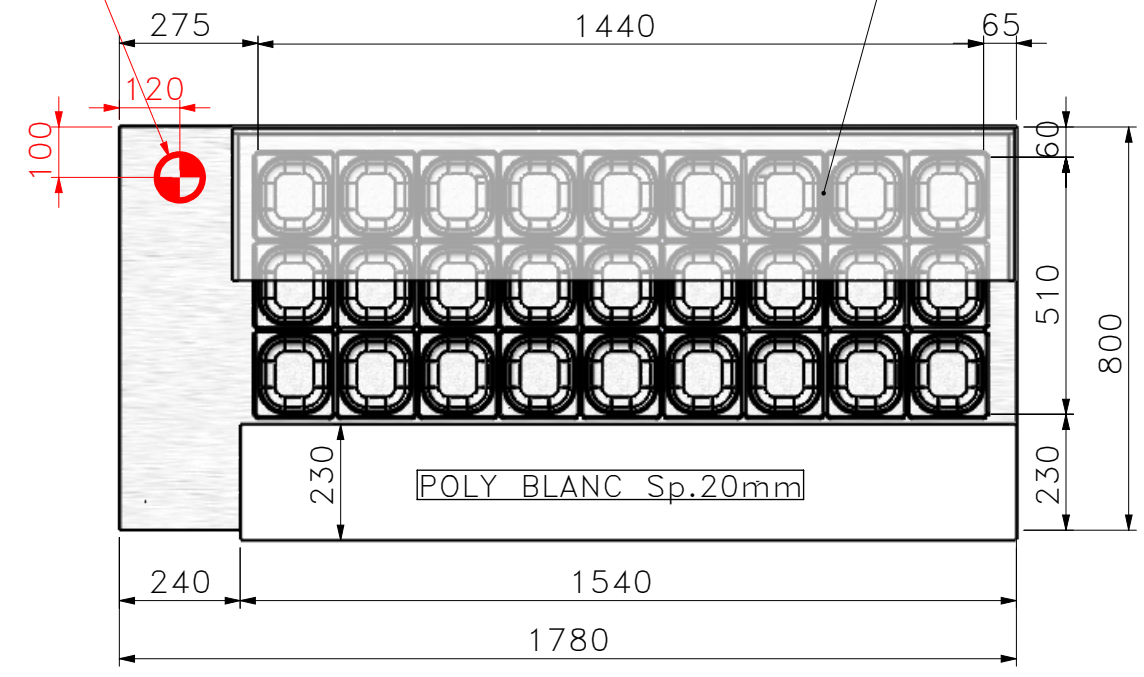
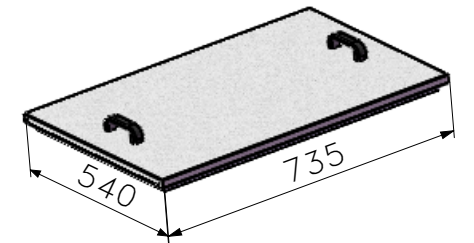


CABLE L=3000mm + SCHUKO PLUG
 ABSORPTION: 323W - 230V/50Hz

2x AUTO-EVAPORATION DE L'EAU

27x GN 1/6 H.150 (NON FORNITE)

2x COPERCHI NOTTE



POLY BLANC Sp.20mm

